

TAP POSITION SENSOR

Key Benefits

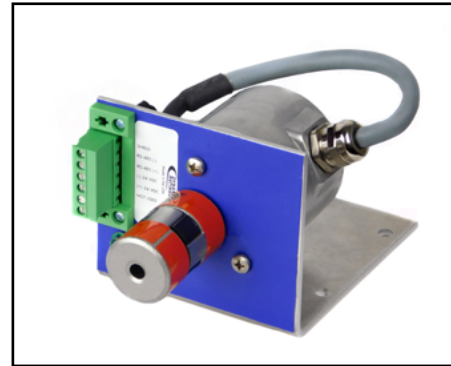
The Dynamic Ratings Tap Position Sensor is a robust single solution that meets stringent electrical standards to ensure reliable operation and long life. The Tap Position sensor connects directly to the tap changer on your asset, using an industry-standard optical encoder to detect the position of the tap changer and relay that information to your Dynamic Ratings E3 or C50 transformer monitor.

Features

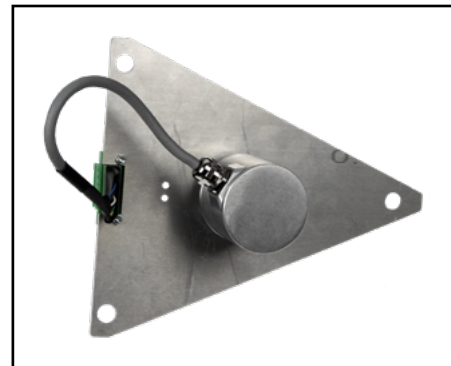
The Dynamic Ratings Tap Position Sensor is fully integrated into the E3 and C50 transformer monitors without the need for a converter. A non-contact optical encoder provides a robust angular measurement that is not affected by shock, vibration or corroded contacts. Various brackets and adapter kits are available ensuring compatibility with most tap changers.

Ease of Use

Configuration is as simple as selecting from a list of common tap changers pre-programmed into the E3 or C50 monitors. The Tap Position Sensor's advanced mode allows for custom programming if the tap changer required is not included in pre-programmed list.



Tap Position Sensor (SEN-0001)



UZD Mount Tap Position Sensor (SEN-0002)



DR-E3 Engineered-to-Order Transformer Monitor



C50 Series Transformer Monitor

RESPONSIVE

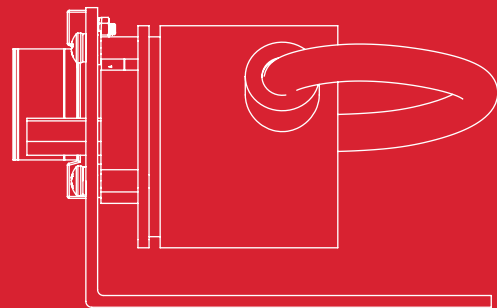
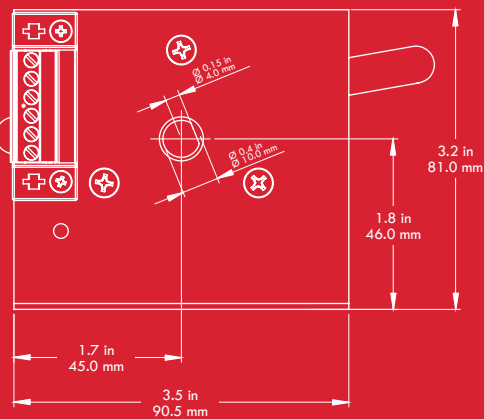
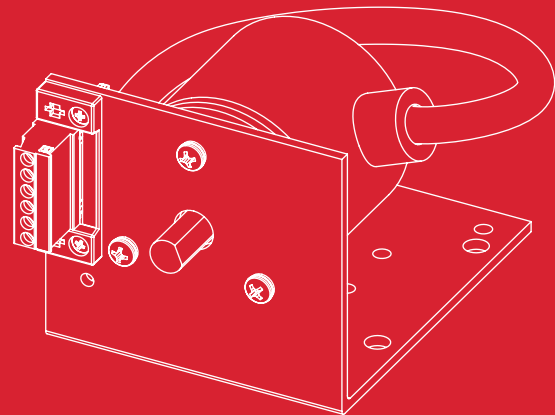
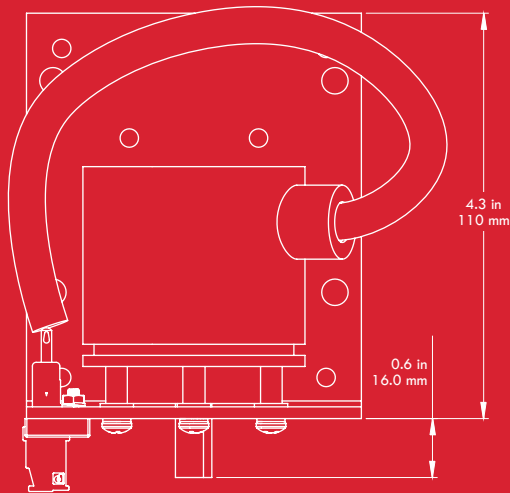
ASSET HEALTH SOLUTIONS

Product Specifications

Power Requirements:	24 VDC
Temperature Range:	-40°C to 70°C (-40°F to 158°F)
Communications:	RS485, Modbus

Ordering Information

Part Number	Description
SEN-0001	DR Tap Position Sensor with Standard Bracket Mount
SEN-0002	DR Tap Position Sensor with UZD Kit
SEN-0003	DR Tap Position Sensor with Flexible Adapter



SEN-0001 shown.



Asia /Oceania
+61 3 9574-7722
sales.asia@dynamicratings.com

Americas
+1 262 746-1230
sales.us@dynamicratings.com

Europe /Africa
+44 1617 681111
sales.eu@dynamicratings.com
www.dynamicratings.com



We are the industry **Responsive Asset Health Solutions** provider. We use comprehensive end-to-end products and services to improve customers' business performance.