

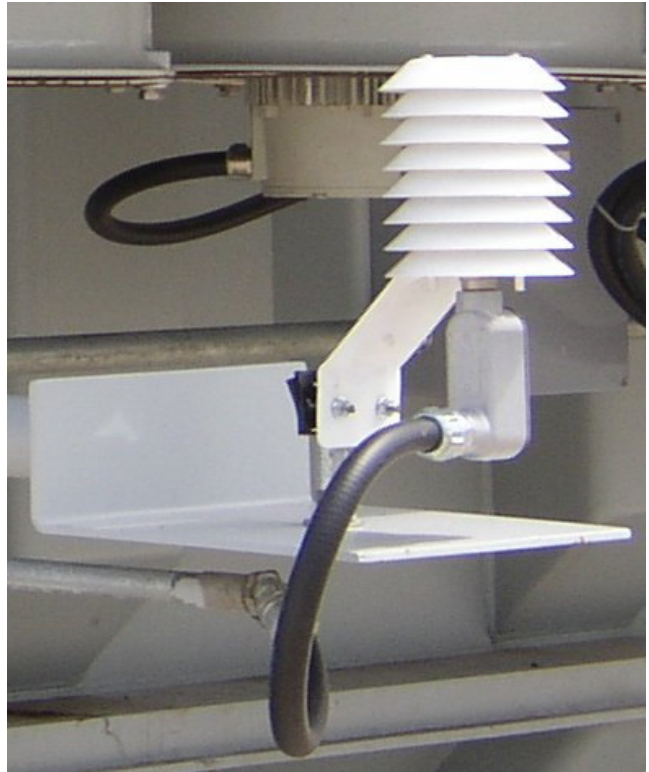


## *Ambient Temperature Assembly Radiation Shield*

This ambient temperature assembly utilizes a weather shield to provide protection from the effects of solar radiation and precipitation.

### **FEATURES**

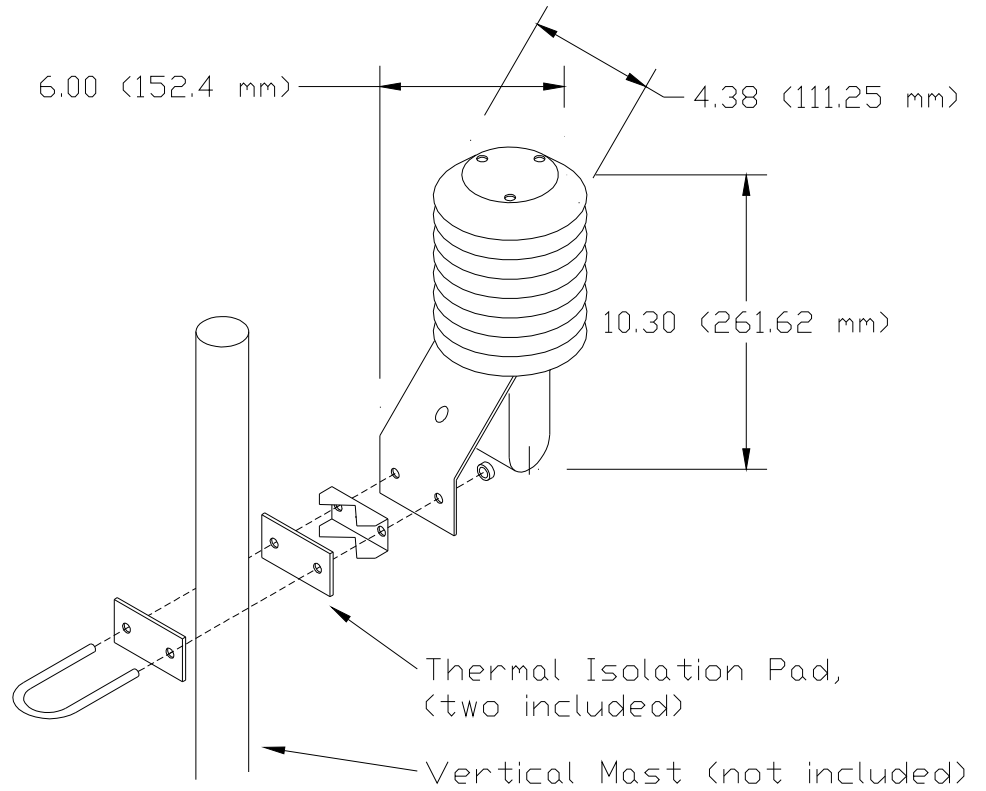
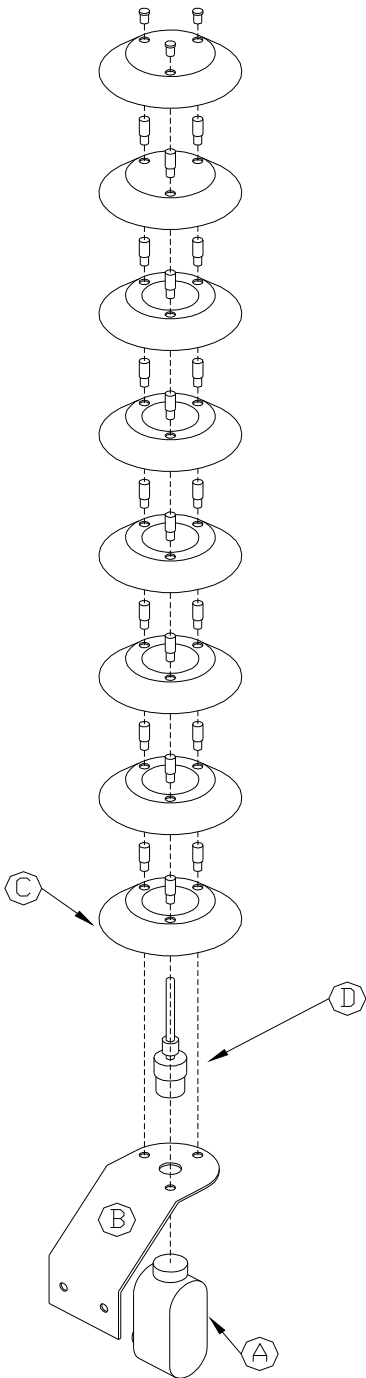
- Self-aspirating, requiring no electricity and utilizing no moving parts.
- Gloss white power-coated aluminum construction insures high surface reflectivity and provides long-lasting protection from exposure, even in harsh environments.
- Overlapping cup design allows efficient air circulation with absolutely no penetration of incident radiation.
- Standard 3-wire RTD Sensor provides a compensated signal which is unaffected by the length of the conduit to the control system.
- Mounting kit provides easy mounting to either a flat surface or to a 1 ½" vertical post.



### **ORDERING INFORMATION**

- Part Number: SE-070
- Description: Ambient Temperature assembly with Radiation Shield
- Includes:
  - Shield
  - U-bolt mounting bracket
  - 3 wire PT-100 RTD with compression fitting
  - Termination box with ½" NPT fitting and 3 position terminal strip.
  - Assembly Instructions

# Ambient Temperature Assembly Radiation Shield



### Installation Note:

Insert Probe (D) thru bracket (B) and thread into LB (A) before attaching (C) to (B)